

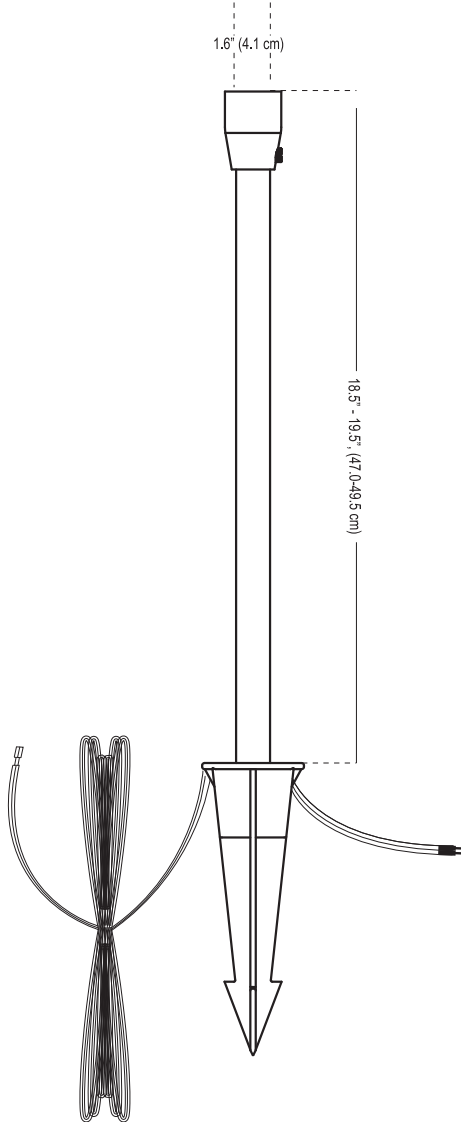
# ALLIANCE

## Specification Sheet

Project:
Type:

### Model: ALSTEM18-bt (18" Bluetooth Area Light Stem)

Fixture Height: 18.5" - 19.5", (47.0-49.5 cm)  
 Stem Diameter: 1.6" (4.1 cm)



Notes:

#### Specifications and Features:

**Body:** Brass stem, aged brass finish

**Collar:** Brass

**Wire:** Industry First, double wire lead pre-connected to the fixture, 16 awg (*UL listed*), brown  
 -25 foot wire lead, pre-stripped for easy wire connection  
 -18 inch wire lead, LED connection ready

**Stake:** Plastic ground stake, attached to the fixture (8.5 in; 21.6 cm length)

**Warranty:** Ten Year Warranty on Integrated Fixture

**Hat:** Sold Separately.

Compatible with AL100, AL150, AL300, AL400, AL500, AL550

Not Compatible with AL700, AL750, AL800, AL850, TIKI

**Certification:** Complies with the requirements of UL-1838 and CAN/CSA-C22.2 No. 250.7. Identified with the ETL and cETL Listed Mark.



#### Integrated LED Features:

**Wattage:** 4w - 8w

**Operating Voltage Range:** 10v - 14v

**Lumen Output:** 15lm to 150lm

**Beam Spread:** 360°

**CRI:** 80

**CCT Options:** Preset options for 2700K, 3000K, 4000K

**RGB Options:** Unlimited Color Wheel Options with quick preset options for Red, Green, Blue, Amber and Purple

**Dimming:** Dimming option available for every color choice

**Scenes:** Customizable scene options with up to 3 colors per scene

#### Accessories Available:

Mounting Accessories:
RMB - Round Mounting Base