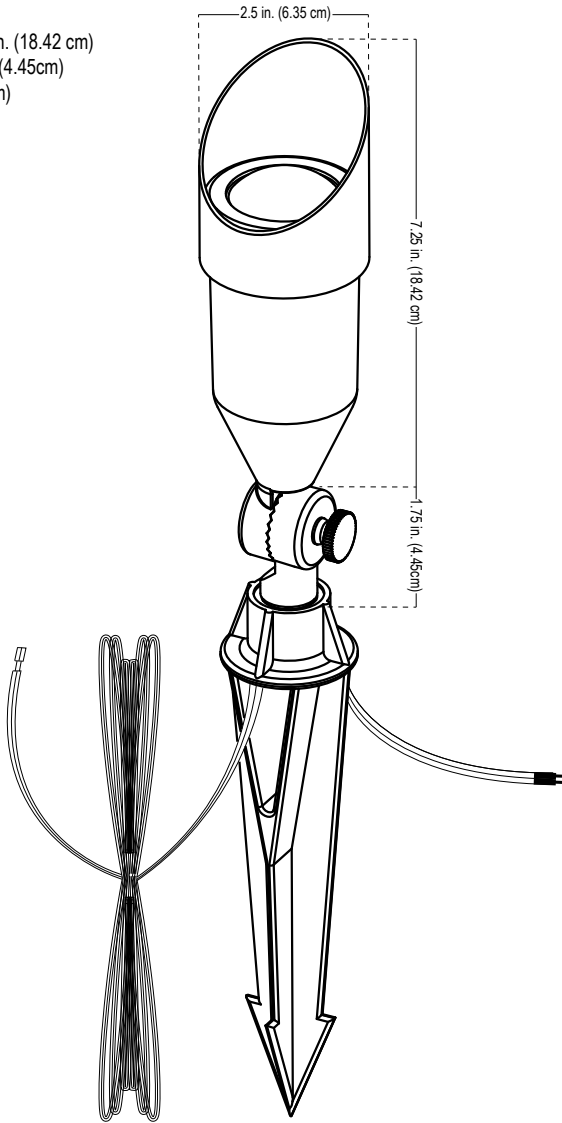


# ALLIANCE

## Specification Sheet

### Model: BL200 (MR16 Bullet Light)

Fixture Length: 7.25 in. (18.42 cm)  
 Base Height: 1.75 in. (4.45cm)  
 Width: 2.5 in. (6.35 cm)



Notes:

Project:
Type:

#### Specifications and Features:

- Body:** Solid brass with an aged brass finish
- Knuckle:** Solid brass with dial adjustment for easy adjustments
- Shroud:** Brass with a clear glass convex lens and double o-ring gasket
- Socket:** Spring loaded ceramic bi-pin socket with dual contact and lamp clips
- Wire:** Industry First, double wire lead pre-connected to the fixture, 16 awg (*UL listed*), brown
  - 25 foot wire lead, pre-stripped for easy wire connection
  - 18 inch wire lead, LED connection ready
- Stake:** Plastic ground stake, attached to the fixture (8.5 in; 21.6 cm length)
- Warranty:** Lifetime warranty on fixture housing
- Certification:** Complies with the requirements of UL-1838 and CAN/CSA-C22.2 No. 250.7. Identified with the ETL and cETL Listed Mark.



#### Lamp Options

Model #	Base Type	Angle	Wattage	Lumen Output
LMR16-LED-4W-NS	MR16	15°	4w	250lm
LMR16-LED-4W-F	MR16	45°	4w	250lm
LMR16-LED-4W-WF	MR16	60°	4w	250lm
LMR16-LED-5W-NS	MR16	15°	5w	310lm
LMR16-LED-5W-F	MR16	45°	5w	310lm
LMR16-LED-5W-WF	MR16	60°	5w	310lm
LMR16-LED-6W-F	MR16	45°	6w	400lm
LMR16-35-36 (Halogen)	MR16	45°	35w	310lm

LED Ordering Guide: Model-Lamp Wattage-Lamp Angle  
 Example: BL200-LED-5W-F

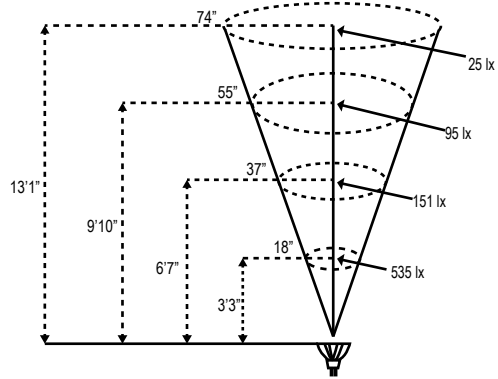
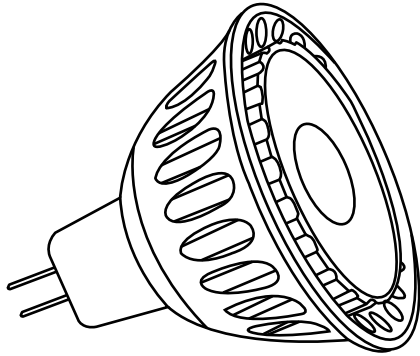
#### Accessories Available:

Mounting Accessories:	MR16 Accessories:
RISER6 - 6" brass riser, aged brass finish	Linear Lens
RISER12 - 12" brass riser, aged brass finish	Frosted Lens
RISER18 - 18" brass riser, aged brass finish	Spread Lens
RISERADJ - Adjustable plastic riser, aged brass cap	Blue Lens
RMB - Round Mounting Base	Hex Louver
GUTTERMOUNT	

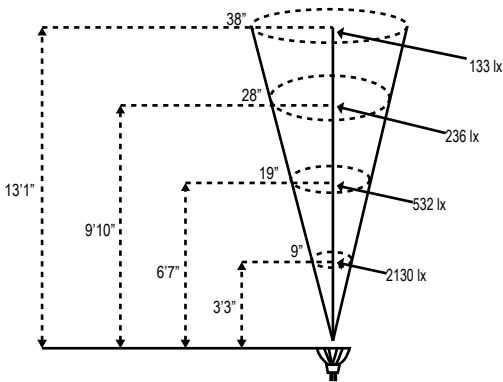
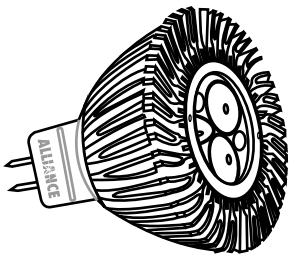
Project:
Type:

## MR16 LED Photometric Comparisons

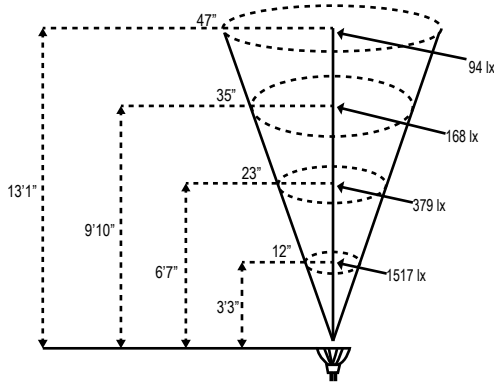
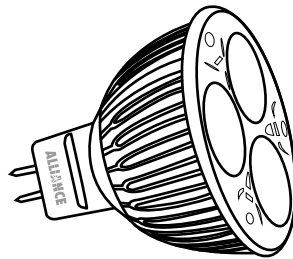
LMR16-LED-6W-F



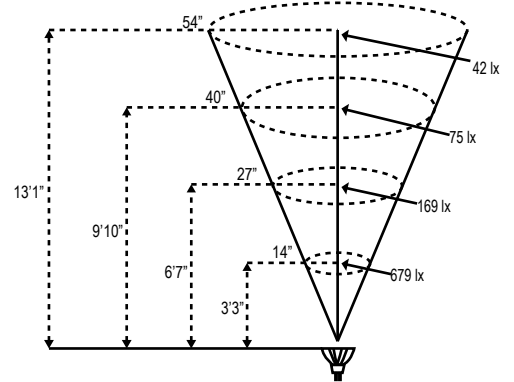
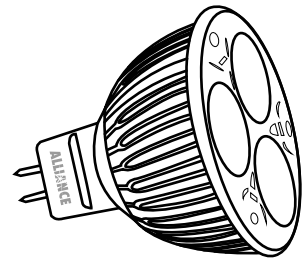
LMR16-LED-5W-NS



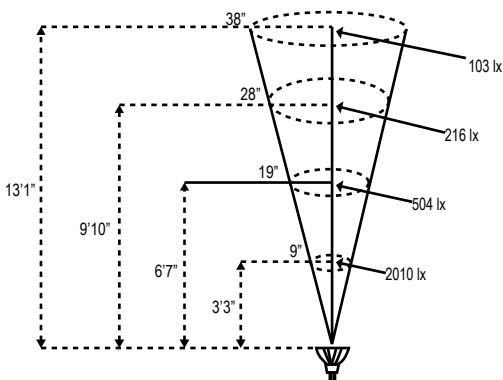
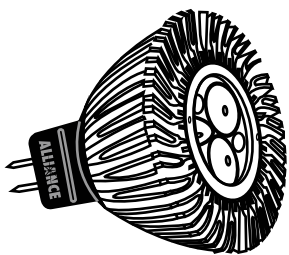
LMR16-LED-5W-F  
(also available in Blue, Red, Green and Amber)



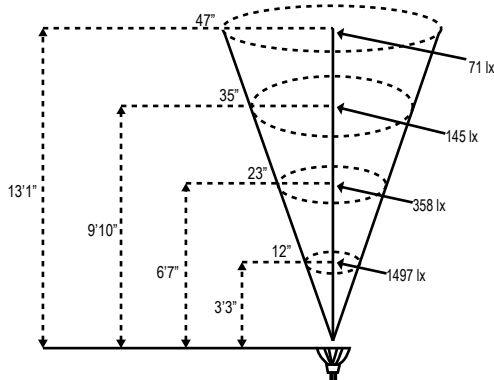
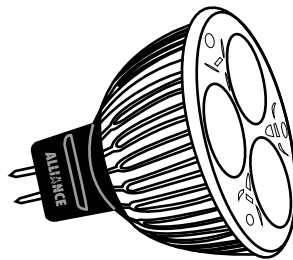
LMR16-LED-5W-WF



LMR16-LED-4W-NS



LMR16-LED-4W-F



LMR16-LED-4W-WF

