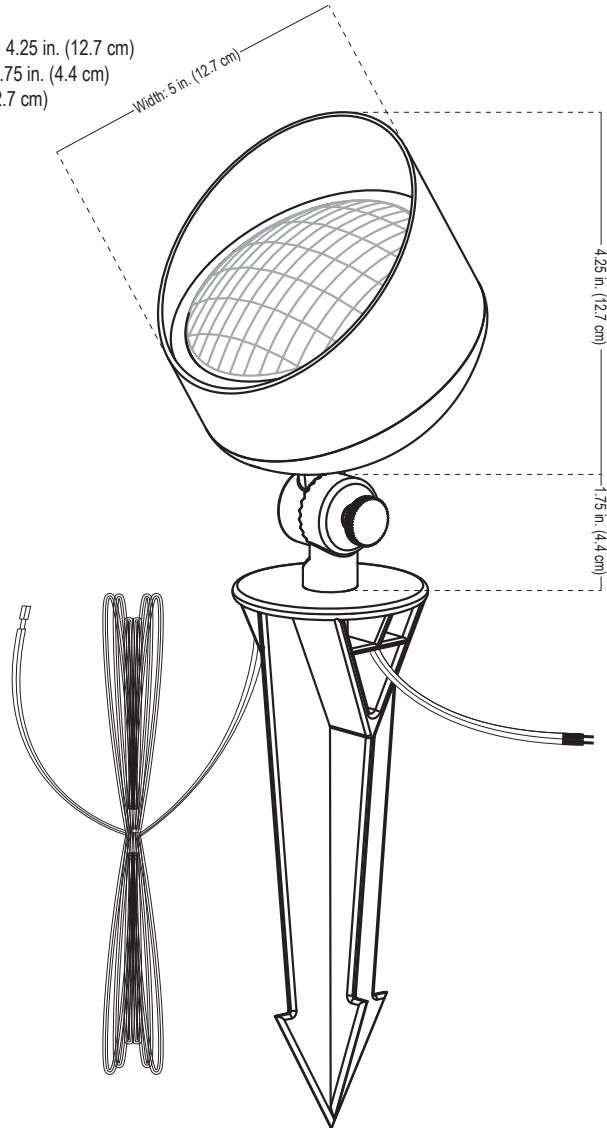


# ALLIANCE

## Specification Sheet

### Model: BL300 (LPAR36 Bullet Light)

Fixture Length: 4.25 in. (12.7 cm)  
 Base Height: 1.75 in. (4.4 cm)  
 Width: 5 in. (12.7 cm)



Notes:

Project:
Type:

#### Specifications and Features:

- Body:** Solid brass with an aged brass finish
- Knuckle:** Solid brass with dial adjustment for easy adjustments
- Shroud:** Brass with turn and lock fitting
- Socket:** Spade connectors for LPAR36 lamps
- Wire:** Industry First, double wire lead pre-connected to the fixture, 16 awg (*UL listed*), brown
  - 25 foot wire lead, pre-stripped for easy wire connection
  - 18 inch wire lead, LED connection ready
- Stake:** Plastic ground stake, attached to the fixture (8.5 in; 21.6 cm length)
- Warranty:** Lifetime warranty on fixture housing
- Certification:** Complies with the requirements of UL-1838 and CAN/CSA-C22.2 No. 250.7. Identified with the ETL and cETL Listed Mark.



#### Lamp Options

Model #	Base Type	Angle	Wattage	Lumen Output
LPAR36-LED-4W-F	PAR36	20°	4w	250lm
LPAR36-LED-4W-WF	PAR36	40°	4w	250lm
LPAR36-LED-8W-F	PAR36	20°	8w	300lm
LPAR36-LED-8W-WF	PAR36	40°	8w	300lm
LPAR36-LED-10W-F	PAR36	30°	10w	400lm
LPAR36-LED-10W-WF	PAR36	45°	10w	400lm
LPAR36-35 (Halogen)	PAR36	45°	35w	300lm

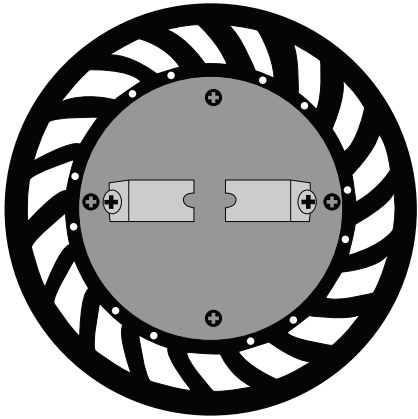
LED Ordering Guide: Model-Lamp Wattage-Lamp Angle  
 Example: BL300-LED-8W-WF

#### Accessories Available:

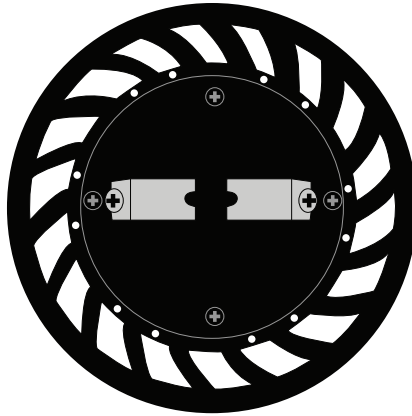
Mounting Accessories:
RISER6 - 6" brass riser, aged brass finish
RISER12 - 12" brass riser, aged brass finish
RISER18 - 18" brass riser, aged brass finish
RISERADJ - Adjustable plastic riser, aged brass cap
RMB - Round Mounting Base
GUTTERMOUNT

Project:
Type:

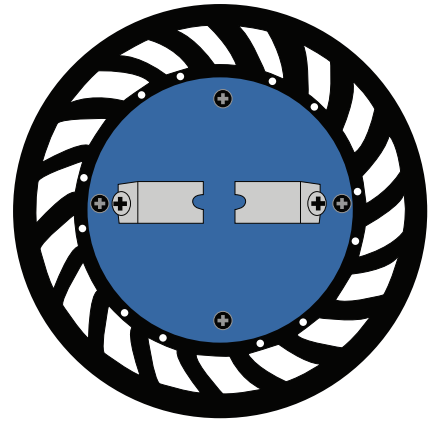
### LPAR36 LED Photometric Comparisons



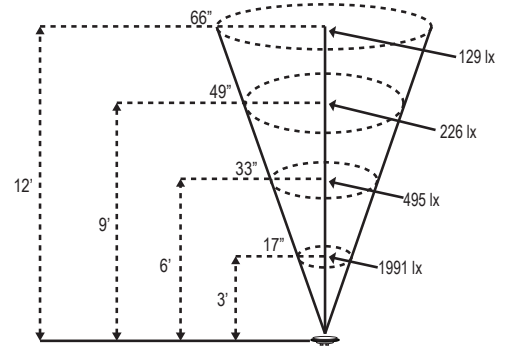
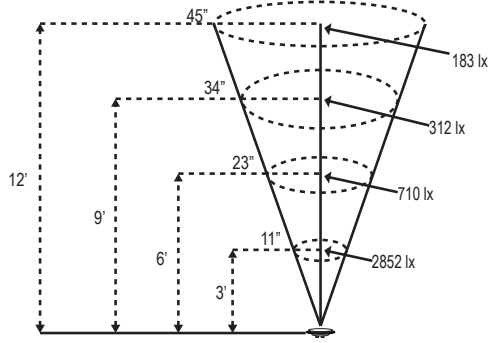
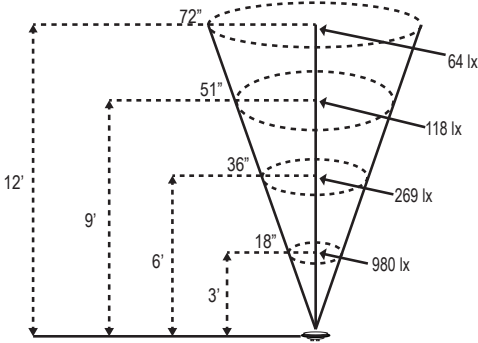
LPAR36-LED-4W-F



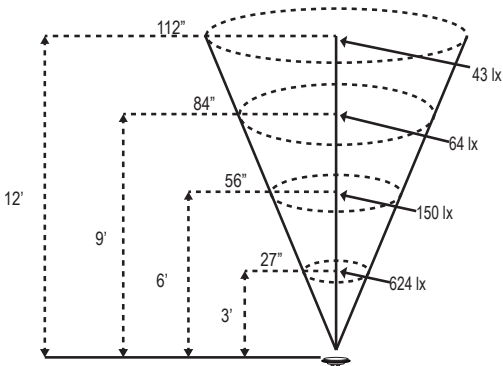
LPAR36-LED-8W-F



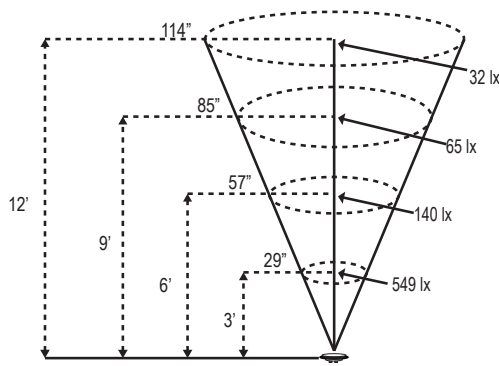
LPAR36-LED-10W-F



LPAR36-LED-4W-WF



LPAR36-LED-8W-WF



LPAR36-LED-10W-WF

