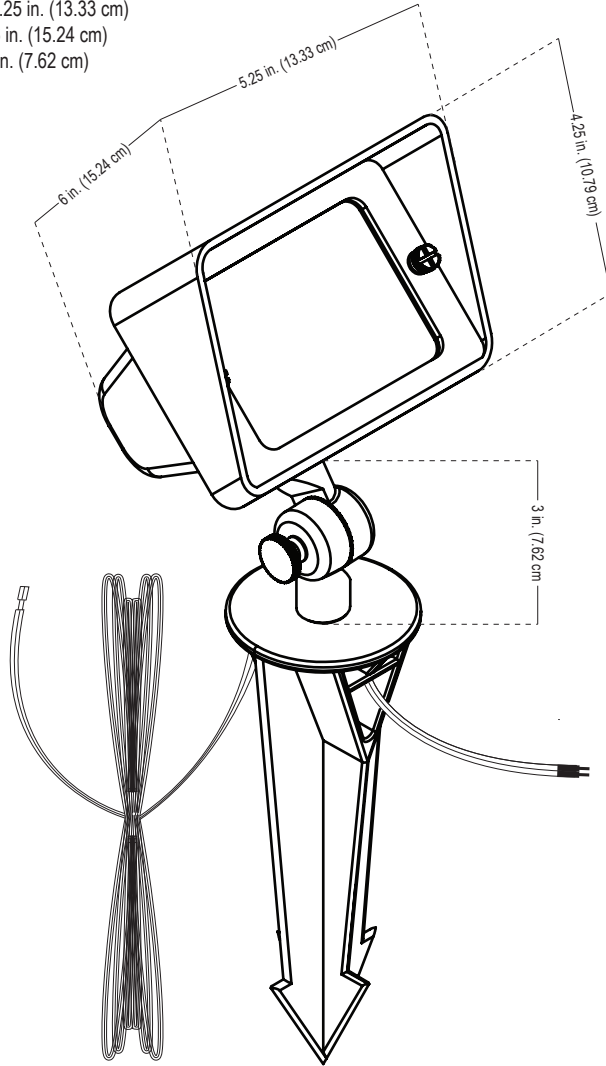


ALLIANCE

Specification Sheet

Model: FL200 (MR16 Flood Light)

Fixture Height: 4.25 in. (10.79 cm)
 Fixture Width: 5.25 in. (13.33 cm)
 Fixture Depth: 6 in. (15.24 cm)
 Base Height: 3 in. (7.62 cm)



Notes:

Project:
Type:

Specifications and Features:

- Body:** Brass fixture, aged brass finish
- Knuckle:** Solid brass knuckle with dial adjustment
- Face plate:** Brass face plate with rubber gasket attached to fixture with 2 screws
- Lens:** Clear lens, Optional Frosted Lens Included
- Socket:** Spring loaded ceramic bi-pin socket with dual contact and lamp clips
- Wire:** Industry First, double wire lead pre-connected to the fixture, 16 awg (*UL listed*), brown
 - 25 foot wire lead, pre-stripped for easy wire connection
 - 18 inch wire lead, LED connection ready
- Stake:** Plastic ground stake, attached to the fixture (8.5 in; 21.6 cm length)
- Warranty:** Lifetime warranty on fixture housing
- Certification:** Complies with the requirements of UL-1838 and CAN/CSA-C22.2 No. 250.7. Identified with the ETL and cETL Listed Mark.



Lamp Options

Model #	Base Type	Angle	Wattage	Lumen Output
LMR16-LED-4W-NS	MR16	15°	4w	250lm
LMR16-LED-4W-F	MR16	45°	4w	250lm
LMR16-LED-4W-WF	MR16	60°	4w	250lm
LMR16-LED-5W-NS	MR16	15°	5w	310lm
LMR16-LED-5W-F	MR16	45°	5w	310lm
LMR16-LED-5W-WF	MR16	60°	5w	310lm
LMR16-LED-6W-F	MR16	45°	6w	400lm
LMR16-35-36 (Halogen)	MR16	45°	35w	310lm

LED Ordering Guide: Model-Lamp Wattage-Lamp Angle
 Example: FL200-LED-5W-F

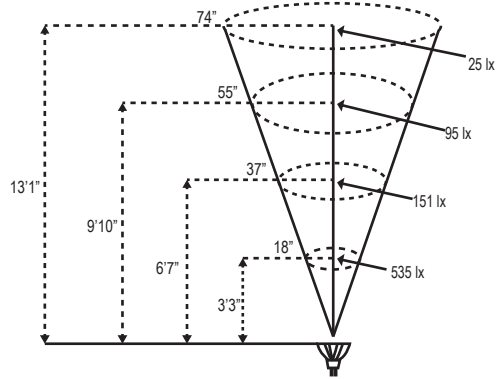
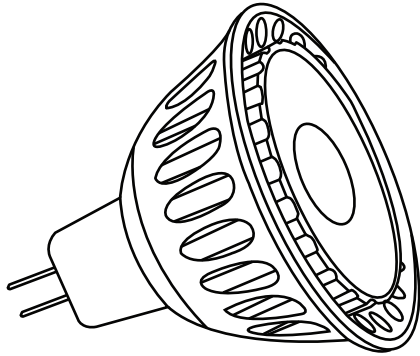
Accessories Available:

Mounting Accessories:
RISER6 - 6" brass riser, aged brass finish
RISER12 - 12" brass riser, aged brass finish
RISER18 - 18" brass riser, aged brass finish
RISERADJ - Adjustable plastic riser, aged brass cap
RMB - Round Mounting Base
GUTTERMOUNT

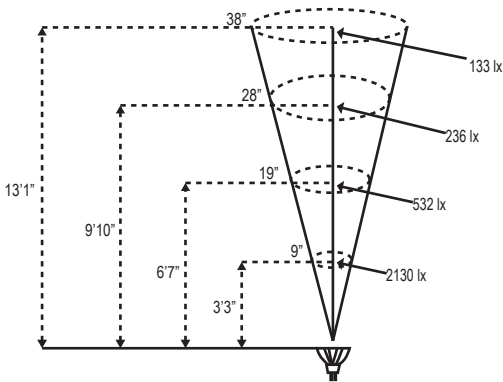
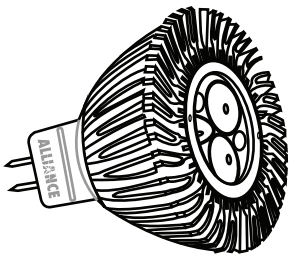
Project:
Type:

MR16 LED Photometric Comparisons

LMR16-LED-6W-F

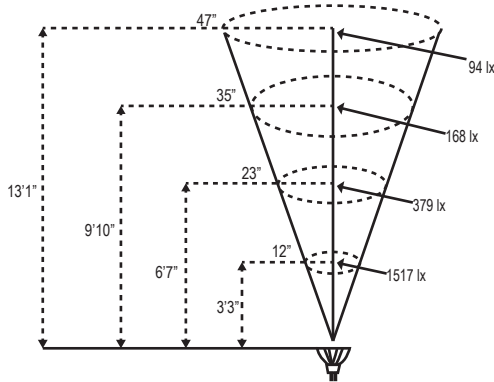
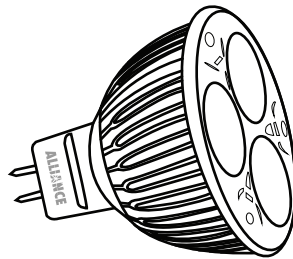


LMR16-LED-5W-NS

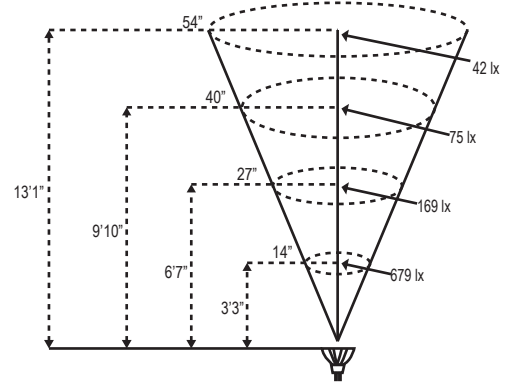
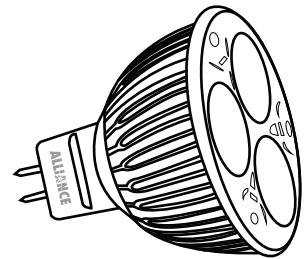


LMR16-LED-5W-F

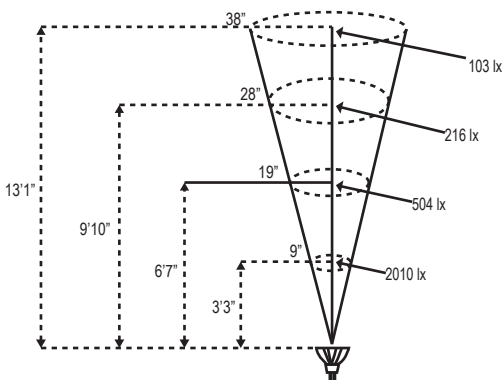
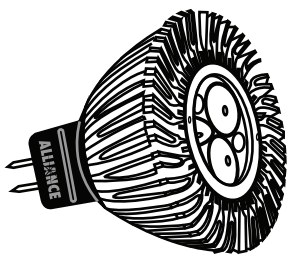
(also available in Blue, Red, Green and Amber)



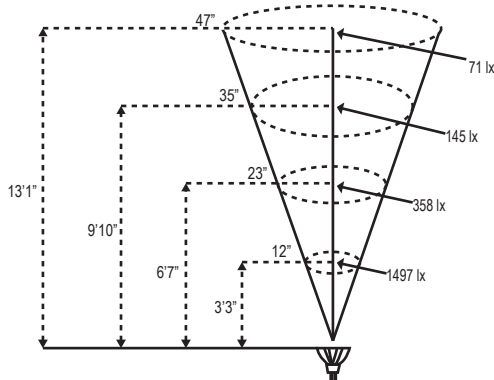
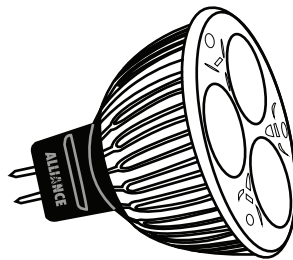
LMR16-LED-5W-WF



LMR16-LED-4W-NS



LMR16-LED-4W-F



LMR16-LED-4W-WF

