

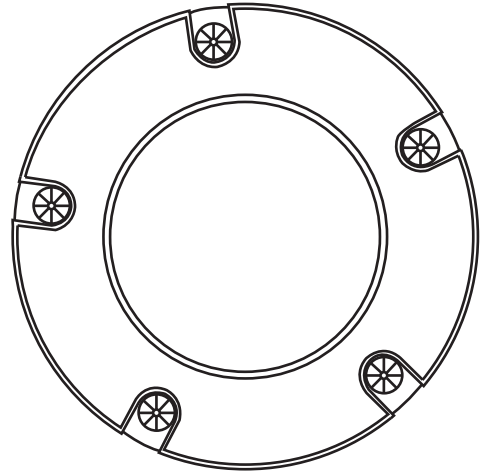
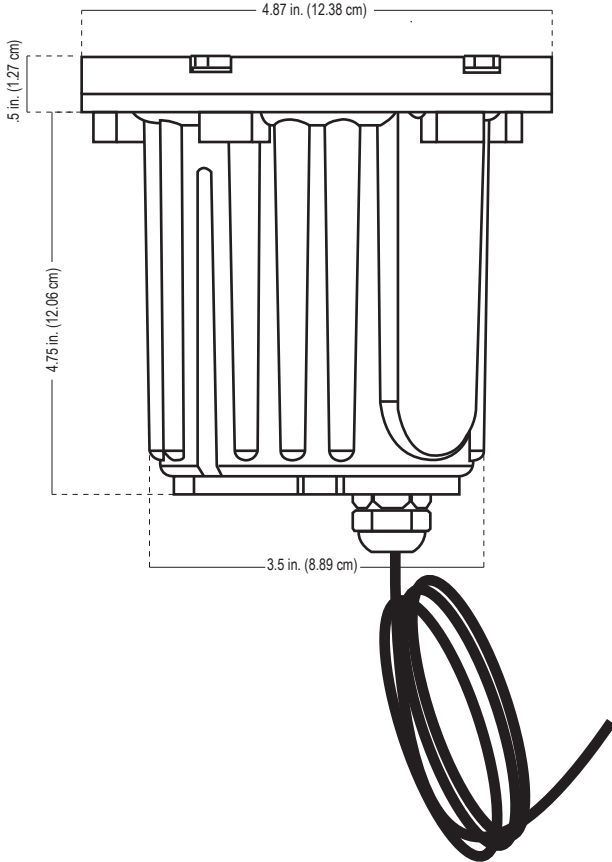
ALLIANCE

Specification Sheet

| |
|----------|
| Project: |
| Type: |

Model: GL300 (MR16 In-Ground Light)

Fixture Height: 4.75 in. (12.06 cm)
 Fixture Base Diameter: 3.5 in. (8.89 cm)
 Shroud Height: .5 in. (1.27 cm)
 Shroud Diameter: 4.87 in. (12.38 cm)



Specifications and Features:

- Base:** non-corrosive poly housing
- Lens:** Clear glass lens
- Shroud:** Solid brass faceplate with stainless steel screws
- Socket:** Spring loaded ceramic bi-pin socket with lamp clips on an adjustable swivel
- Wire:** 60 inch wire lead 16 awg (UL listed) pre-connected to the fixture
- Warranty:** Lifetime warranty on fixture housing

Lamp Options

| Model # | Base Type | Angle | Wattage | Lumen Output |
|-----------------------|-----------|-------|---------|--------------|
| LMR16-LED-4W-NS | MR16 | 15° | 4w | 250lm |
| LMR16-LED-4W-F | MR16 | 45° | 4w | 250lm |
| LMR16-LED-4W-WF | MR16 | 60° | 4w | 250lm |
| LMR16-LED-5W-NS | MR16 | 15° | 5w | 310lm |
| LMR16-LED-5W-F | MR16 | 45° | 5w | 310lm |
| LMR16-LED-5W-WF | MR16 | 60° | 5w | 310lm |
| LMR16-LED-6W-F | MR16 | 45° | 6w | 400lm |
| LMR16-35-36 (Halogen) | MR16 | 45° | 35w | 310lm |

LED Ordering Guide: Model-Lamp Wattage-Lamp Angle
 Example: GL100-LED-5W-F

Notes: