

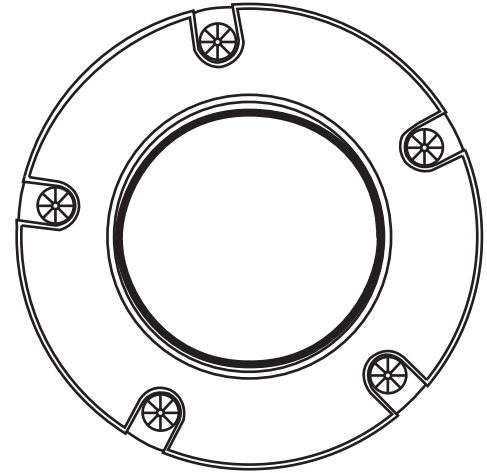
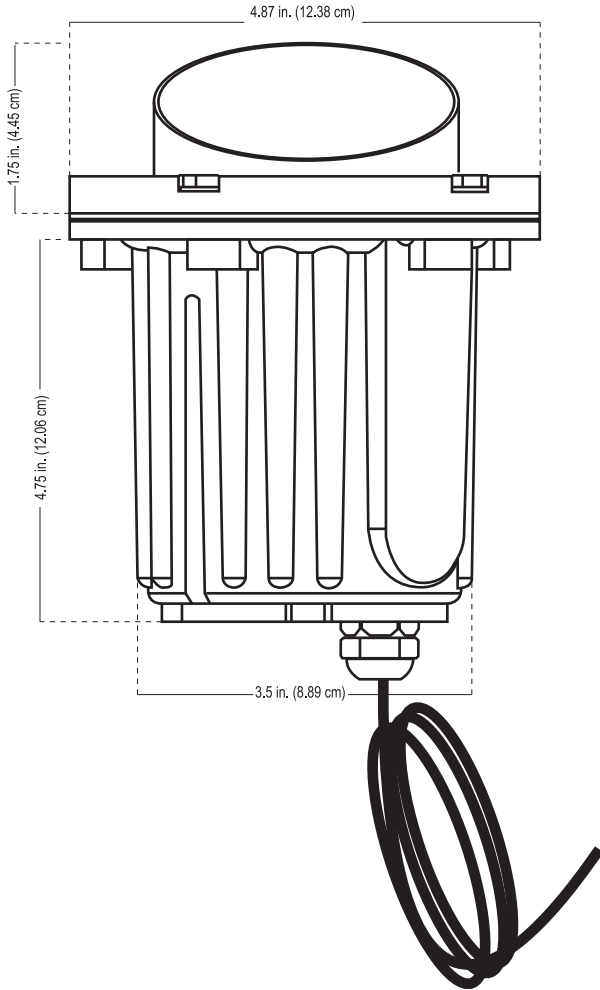
# ALLIANCE

## Specification Sheet

Project:
Type:

### Model: GL350 (MR16 In-Ground Light)

Fixture Height: 4.75 in. (12.06 cm)  
 Fixture Base Diameter: 3.5 in. (8.89 cm)  
 Shroud Height: 1.75 in. (4.45 cm)  
 Shroud Diameter: 4.87 in. (12.38 cm)



#### Specifications and Features:

- Base:** non-corrosive poly housing
- Lens:** Clear glass lens
- Shroud:** Solid brass shroud with five stainless steel screws
- Socket:** Spring loaded ceramic bi-pin socket with lamp clips on an adjustable swivel
- Wire:** 60 inch wire lead 16 awg (UL listed) pre-connected to the fixture
- Warranty:** Lifetime warranty on fixture housing

#### Lamp Options

Model #	Base Type	Angle	Wattage	Lumen Output
LMR16-LED-4W-NS	MR16	15°	4w	250lm
LMR16-LED-4W-F	MR16	45°	4w	250lm
LMR16-LED-4W-WF	MR16	60°	4w	250lm
LMR16-LED-5W-NS	MR16	15°	5w	310lm
LMR16-LED-5W-F	MR16	45°	5w	310lm
LMR16-LED-5W-WF	MR16	60°	5w	310lm
LMR16-LED-6W-F	MR16	45°	6w	400lm

LED Ordering Guide: Model-Lamp Wattage-Lamp Angle  
 Example: GL350-LED-5W-F

Notes: