

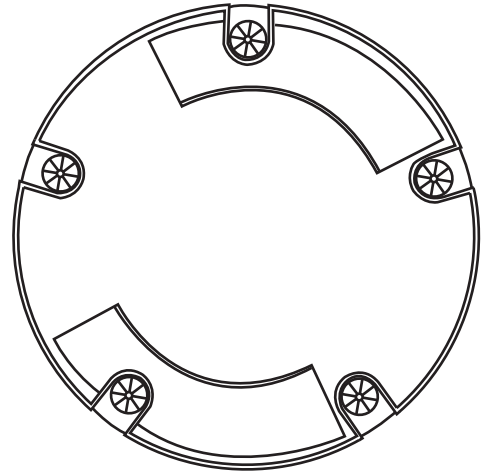
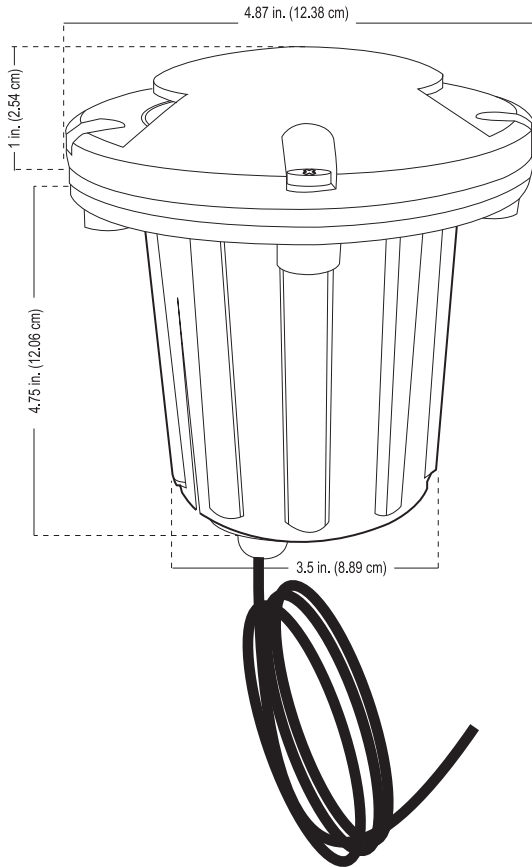
ALLIANCE

Specification Sheet

Project:
Type:

Model: GL370 (MR16 In-Ground Light)

Fixture Height: 4.75 in. (12.06 cm)
 Fixture Base Diameter: 3.5 in. (8.89 cm)
 Faceplate Height: 1 in. (2.54 cm)
 Faceplate Diameter: 4.87 in. (12.38 cm)



Specifications and Features:

Base: non-corrosive poly housing

Lens: Clear glass lens

Shroud: Solid brass faceplate with opposing sides openings and five stainless steel screws

Socket: Spring loaded ceramic bi-pin socket with lamp clips on an adjustable swivel

Wire: 60 inch wire lead 16 awg (UL listed) pre-connected to the fixture

Warranty: Lifetime warranty on fixture housing

Lamp Options

Model #	Base Type	Angle	Wattage	Lumen Output
LMR16-LED-4W-NS	MR16	15°	4w	250lm
LMR16-LED-4W-F	MR16	45°	4w	250lm
LMR16-LED-4W-WF	MR16	60°	4w	250lm
LMR16-LED-5W-NS	MR16	15°	5w	310lm
LMR16-LED-5W-F	MR16	45°	5w	310lm
LMR16-LED-5W-WF	MR16	60°	5w	310lm
LMR16-LED-6W-F	MR16	45°	6w	400lm

LED Ordering Guide: Model-Lamp Wattage-Lamp Angle
 Example:GL370-LED-5W-F

Notes: