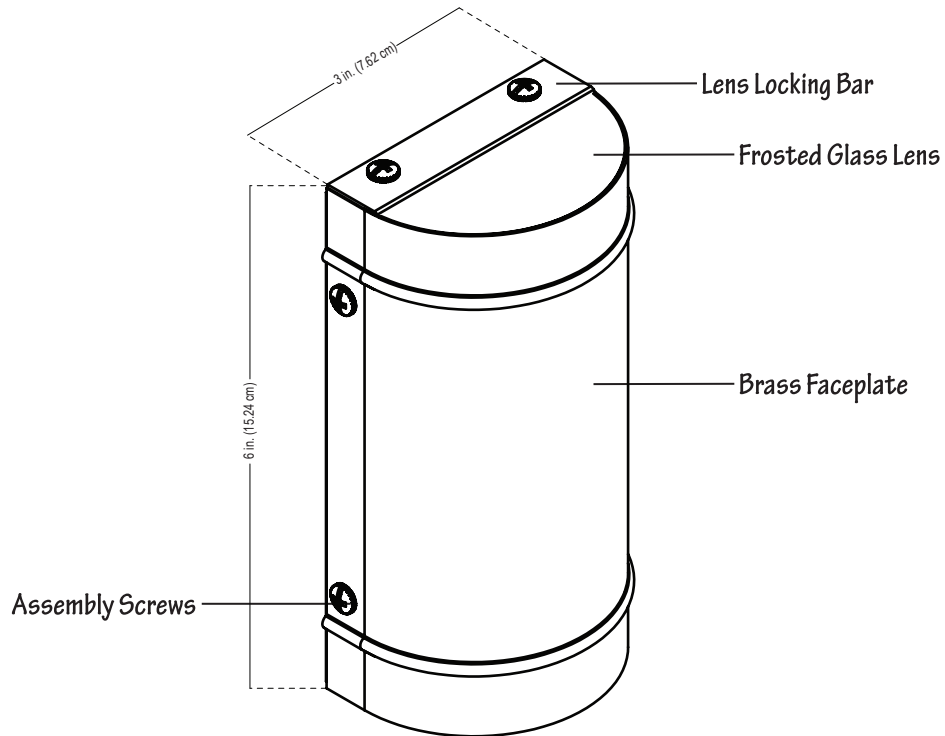


WS100-LED

Fixture Height: 6 in. (15.24 cm)
Fixture Width: 3 in. (7.62 cm)
Fixture Depth: 2 in. (5.08 cm)



1. Drill hole for wire run and feed wire
2. Mount backplate to the surface
3. Install lamps
4. Attach faceplate
5. Install glass lens

