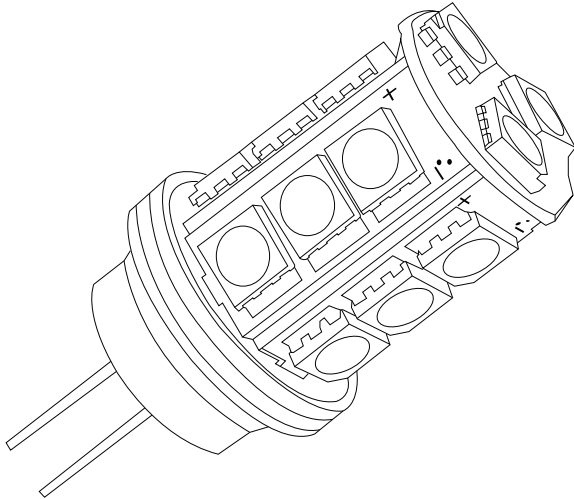


Project:
Type:

Model: LBIPIN-LED-3W-AMBER (3 watt BIPIN AMBER LED)



Specifications and Features:

- Watts:** 3
- Base Type:** G4/BiPin
- Light Output:** 150 lumens
- Color:** Amber
- Operating Voltage:** 8-24v
- CRI:** Ra>80
- LED Chip Qty:** 18 Pieces
- Halogen Equivalent:** 20w
- Rated Hours:** 50,000 hrs
- Ambient Operating Temperature:** <72°C
- Transformer Compatibility:** Must be powered by magnetic transformer
- Warranty:** Five year limited warranty on LED components

Lamp Color Options

Model #	Color	Color Temp.	Base Type	Wattage	Lumen Output
LBIPINLED-3W-3K	Bright White	3000K	BIPIN/G4	3w	150lm
LBIPIN-LED-3W-AMBER (Turtle Safe)	Amber	Amber	BIPIN/G4	3w	150lm

Notes: