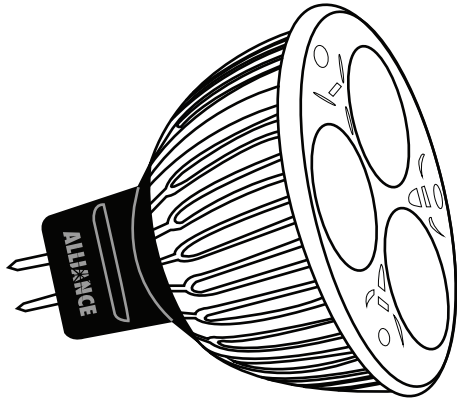


| |
|----------|
| Project: |
| Type: |

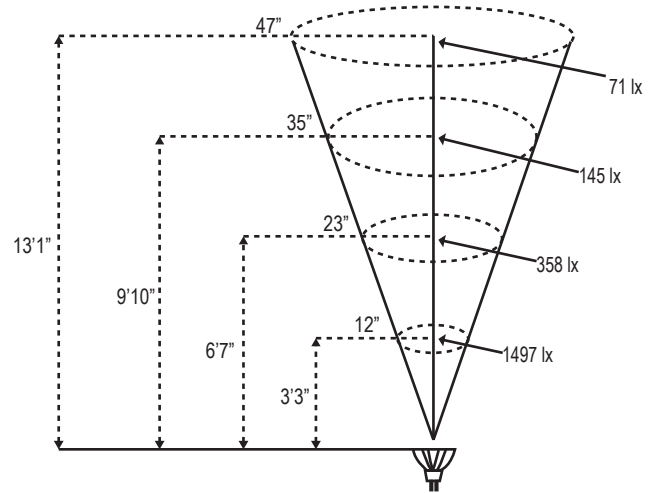
Model: LMR16-LED-4W-F (4 watt MR16 LED)



Specifications and Features:

- Watts:** 4
- Beam Angle:** 45°
- Beam Spread:** Flood
- Light Output:** 250 lumens
- Color:** Warm White
- Color Temperature:** 2900K
- Operating Voltage:** 8-24v
- CRI:** Ra>80
- LED Source:** CREE XPC
- Halogen Equivalent:** 20w
- Rated Hours:** 50,000 hrs
- Ambient Operating Temperature:** <72°C

Photometrics:



Notes: