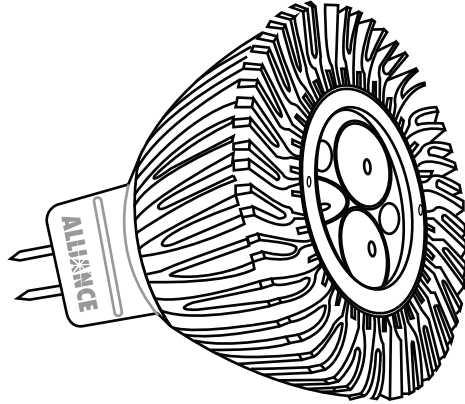


| |
|----------|
| Project: |
| Type: |

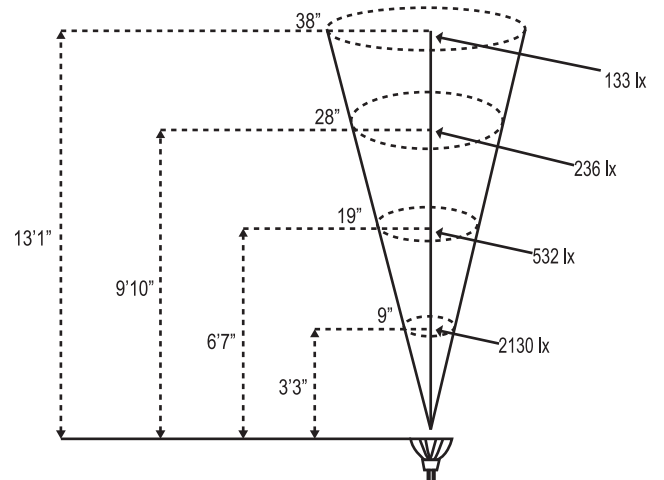
Model: LMR16-LED-5W-NS (MR16 LED)



Specifications and Features:

- Base:** MR16
- Watts:** 5
- Beam Angle:** 15°
- Beam Spread:** Narrow Spot
- Light Output:** 310 lumens
- Color:** Warm White
- Color Temperature:** 2900K
- Operating Voltage:** 8-24v
- CRI:** Ra>80
- LED Source:** CREE XPE
- Halogen Equivalent:** 35w
- Rated Hours:** 50,000 hrs
- Ambient Operating Temperature:** <72°C

Photometrics:



Notes: