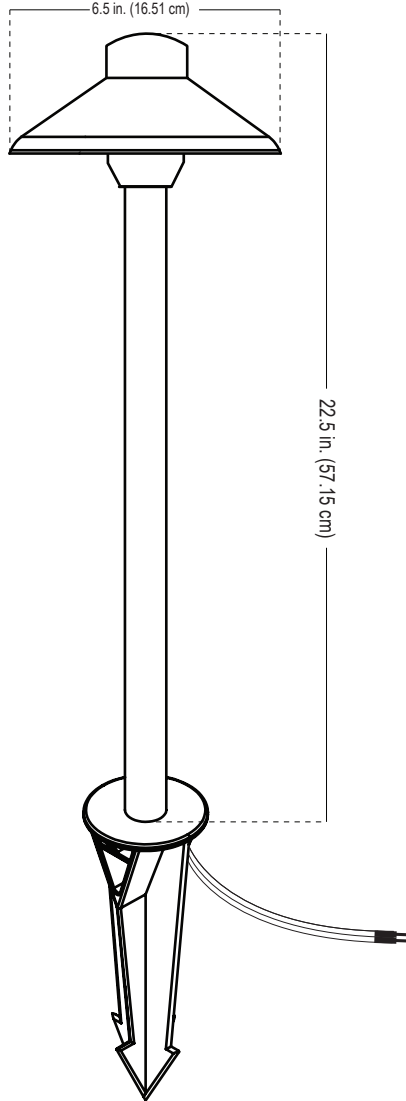


# ALLIANCE

## Specification Sheet

### Model: PAL105

Fixture Height: 22.5 in. (57.15 cm)  
 Hat Width: 6.5 in. (16.51 cm)



Project:
Type:

#### Specifications and Features:

**Hat:** Brass area light hat, aged brass finish

**Lens:** Polycarbonate frosted lens with gaskets

**Stem:** Brass area light stem, aged brass finish

**Collar:** Aged brass finish

**Socket:** Spring loaded ceramic bi-pin socket with dual contact

**Wire:** 36 inch wire lead, 16 awg (UL listed), brown, Pre-connected to the fixture, Pre-stripped for easy wire connection

**Stake:** Plastic ground stake, attached to the fixture (8.5 in; 21.6 cm length)

**Warranty:** Lifetime warranty on fixture housing.

**Certification:** Complies with the requirements of UL-1838 and CAN/CSA-C22.2 No. 250.7. Identified with the ETL and cETL Listed Mark.



#### Lamp Options

Model #	Base Type	Wattage	Lumen Output
LBIPIN-LED-200lm	BIPIN/G4	2.5w	200lm
LBIPIN-LED-250lm	BIPIN/G4	3w	250lm

LED Ordering Guide: Model-LED

Example: PAL105-LED

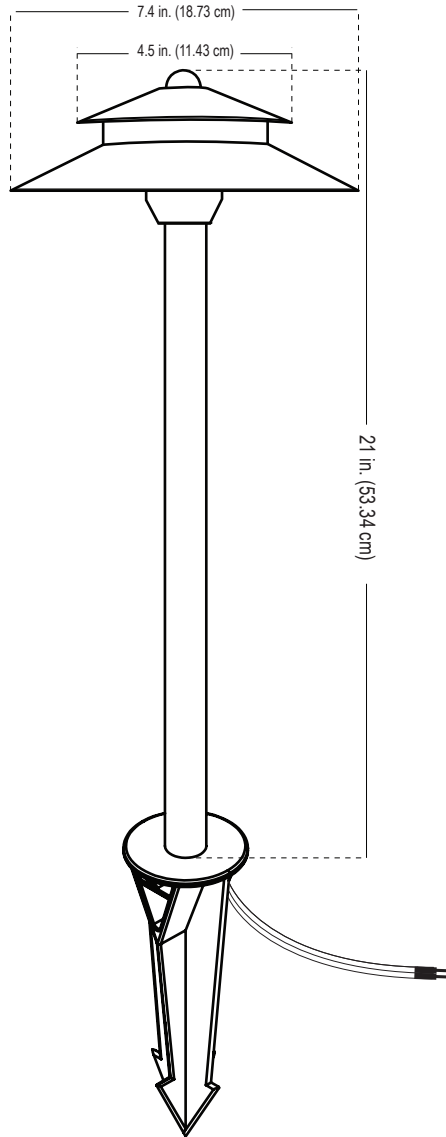
Notes:

# ALLIANCE

## Specification Sheet

### Model: PAL705

Fixture Height: 21 in. (53.34 cm)  
 Hat Width: 7.4 in. (18.73 cm)



Notes:

Project:
Type:

#### Specifications and Features:

**Hat:** Two-tier Brass area light hat, aged brass finish

**Lens:** Polycarbonate frosted lens with gaskets

**Stem:** Brass area light stem, aged brass finish

**Collar:** Aged brass finish

**Socket:** Spring loaded ceramic bi-pin socket with dual contact

**Wire:** 36 inch wire lead, 16 awg (UL listed), brown, Pre-connected to the fixture, Pre-stripped for easy wire connection

**Stake:** Plastic ground stake, attached to the fixture (8.5 in; 21.6 cm length)

**Warranty:** Lifetime warranty on fixture housing.

#### Lamp Options

Model #	Base Type	Wattage	Lumen Output
LBIPIN-LED-200lm	BIPIN/G4	2.5w	200lm
LBIPIN-LED-250lm	BIPIN/G4	3w	250lm

LED Ordering Guide: Model-LED

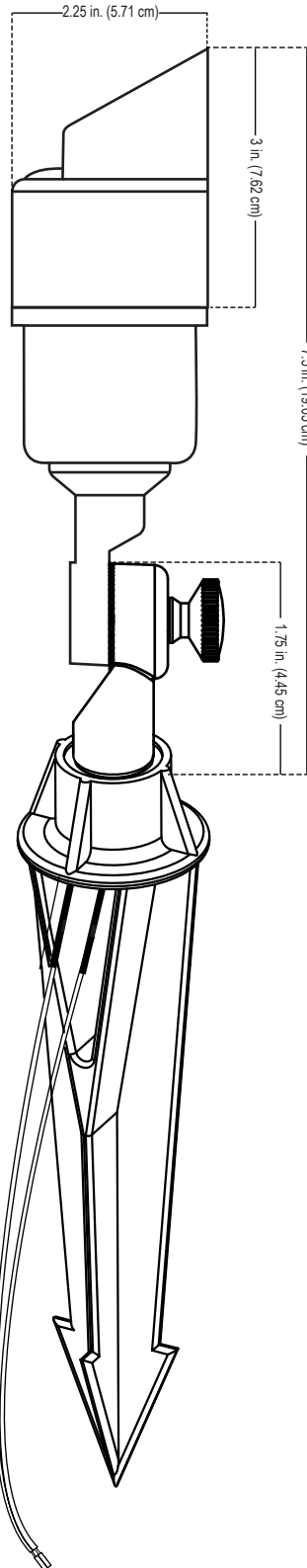
Example: PAL705-LED

# ALLIANCE

## Specification Sheet

### Model: BL115 (MR16 Bullet Light)

Fixture Length: 7.5 in. (19.05 cm)  
 Base Height: 1.75 in. (4.4 cm)  
 Width: 2.25 in. (5.71 cm)  
 Shroud Height: 3 in. (7.62 cm)



Notes:

Project:
Type:

#### Specifications and Features:

- Body:** Solid brass with an aged brass finish
- Knuckle:** Solid brass with dial adjustment for easy adjustments
- Shroud:** Brass with a clear glass convex lens and double o-ring gasket
- Socket:** Spring loaded ceramic bi-pin socket with dual contact and lamp clips
- Wire:** 18" lead, 16 awg (UL listed), brown, pre-connected to the fixture and pre-stripped for easy wire connection.
- Stake:** Plastic ground stake, attached to the fixture (8.5 in; 21.6 cm length)
- Warranty:** Lifetime warranty on fixture housing
- Certification:** Complies with the requirements of UL-1838 and CAN/CSA-C22.2 No. 250.7. Identified with the ETL and cETL Listed Mark.



#### Lamp Options

Model #	Base Type	Angle	Wattage	Lumen Output
LMR16-LED-4W-NS	MR16	15°	4w	250lm
LMR16-LED-4W-F	MR16	45°	4w	250lm
LMR16-LED-4W-WF	MR16	60°	4w	250lm
LMR16-LED-5W-NS	MR16	15°	5w	310lm
LMR16-LED-5W-F	MR16	45°	5w	310lm
LMR16-LED-5W-WF	MR16	60°	5w	310lm
LMR16-LED-6W-F	MR16	45°	6w	400lm
LMR16-35-36 (Halogen)	MR16	45°	35w	310lm

LED Ordering Guide: Model-Lamp Wattage-Lamp Angle  
 Example: BL105-LED-5W-F

#### Accessories Available:

Mounting Accessories:	MR16 Accessories:
RISER6 - 6" brass riser, aged brass finish	Linear Lens
RISER12 - 12" brass riser, aged brass finish	Frosted Lens
RISER18 - 18" brass riser, aged brass finish	Spread Lens
RISERADJ - Adjustable plastic riser, aged brass cap	Blue Lens
RMB - Round Mounting Base	Hex Louver
GUTTERMOUNT	