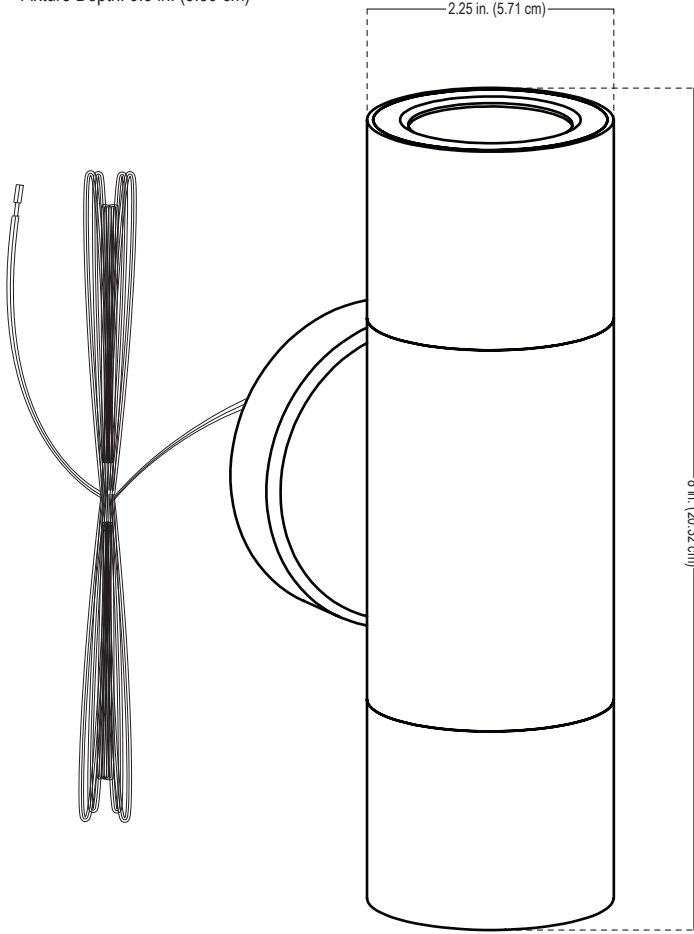


ALLIANCE

Specification Sheet

Model: WS300 (MR16 Wall Sconce)

Fixture Height: 8 in. (20.32 cm)
 Fixture Width: 2.25 in. (5.71 cm)
 Fixture Depth: 3.5 in. (8.89 cm)



Notes:

Project:
Type:

Specifications and Features:

Body: Brass fixture, aged brass finish

Lens: Clear glass top and bottom lenses

Socket: Dual spring loaded ceramic bi-pin socket with dual contact and lamp clips

Wire: 25' Foot wire lead, 16 awg (UL listed), brown, Pre-connected to the fixture, Pre-stripped for easy wire connection

Hardware: Stainless steel mounting screws

Warranty: Lifetime warranty on fixture housing

Certifications: Complies with the requirements of UL-1838 and CAN/CSA-C22.2 No. 250.7. Identified with the ETL and cETL Listed Mark.



Lamp Options

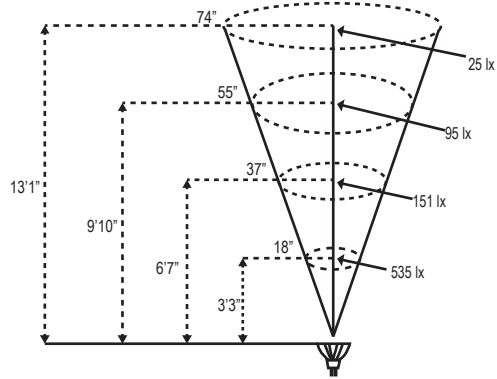
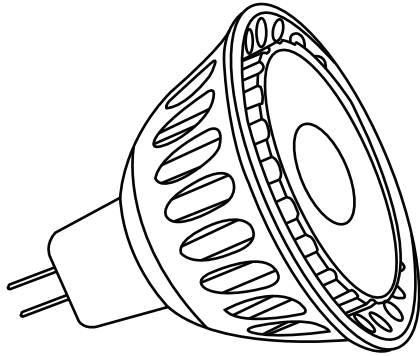
Model #	Base Type	Angle	Wattage	Lumen Output
(Two) LMR16-LED-4W-NS	MR16	15°	4w each	250lm each
(Two) LMR16-LED-4W-F	MR16	45°	4w each	250lm each
(Two) LMR16-LED-4W-WF	MR16	60°	4w each	250lm each
(Two) LMR16-LED-5W-NS	MR16	15°	5w each	310lm each
(Two) LMR16-LED-5W-F	MR16	45°	5w each	310lm each
(Two) LMR16-LED-5W-WF	MR16	60°	5w each	310lm each
(Two) LMR16-LED-6W-F	MR16	45°	6w each	400lm each
(Two) LMR16-35-36 (Halogen)	MR16	45°	35w each	310lm each

LED Ordering Guide: Model-Lamp Wattage-Lamp Angle
 Example: WS300-LED-5W-F

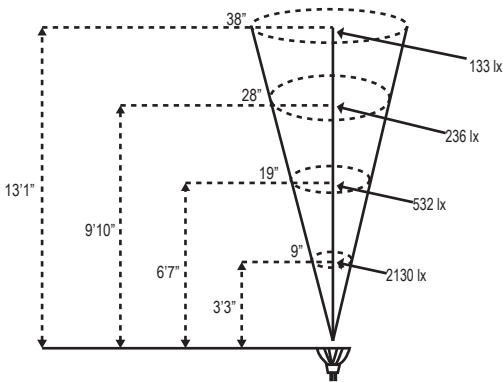
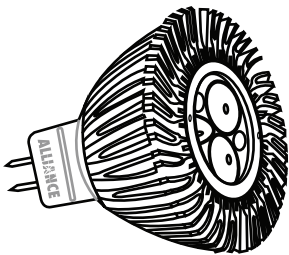
Project:
Type:

MR16 LED Photometric Comparisons

LMR16-LED-6W-F

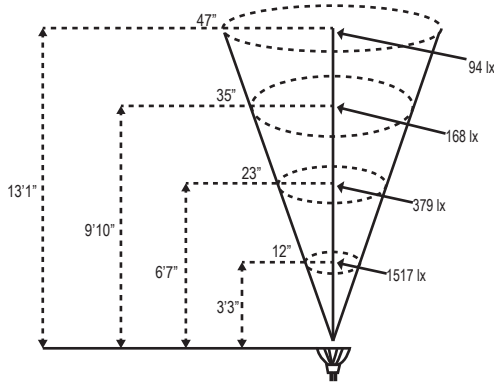
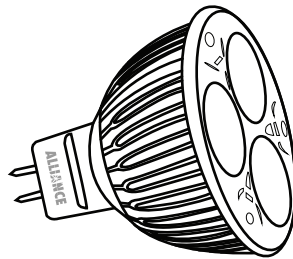


LMR16-LED-5W-NS

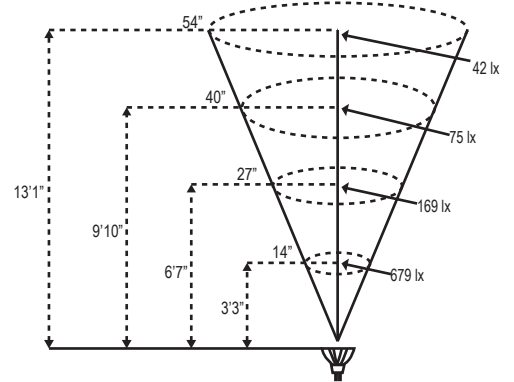
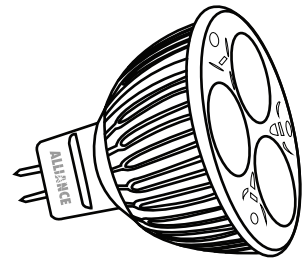


LMR16-LED-5W-F

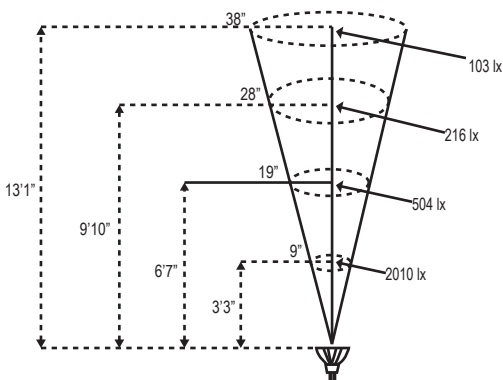
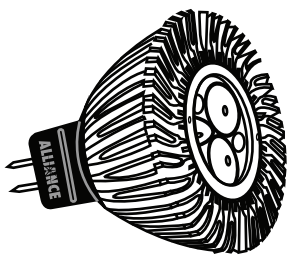
(also available in Blue, Red, Green and Amber)



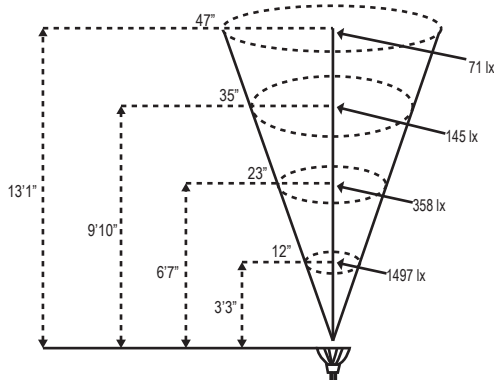
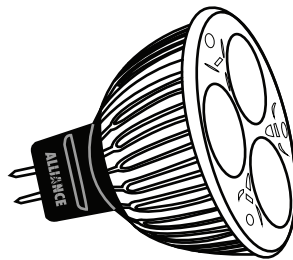
LMR16-LED-5W-WF



LMR16-LED-4W-NS



LMR16-LED-4W-F



LMR16-LED-4W-WF

